

→ Series 2700



■ SUITABLE FOR

Liquids	neutral and non-neutral	
Air, gases and vapours	neutral and non-neutral	

■ EXAMPLES OF USE

Diverter ball valve for the installation of for example two safety valves in combination with bursting discs for the protection of containers designed for the storage of cryogenic gases. The requirements of the PED relating to redundant or diverse safety devices are fulfilled by this fitting in combination with safety valves of the 2400 / 24800 series. On each side two additional connections for bursting discs are available. In case the safety valves need to be maintained or the bursting discs replaced, the side requiring maintenance can be shut off.

- For the storage of cryogenic liquified gases, such as LIN, LOX, LAr, CO₂, LNG.
- N₂ in pharmaceutical / foodstuffs applications
- O₂ for medical supply equipment
- CO₂ for foodstuffs/ industrial applications
- LAr for welding
- Cooling plants

The ball-valves are oil- and grease-free as standard. For applications with oxygen (O₂) applicable up to maximum 40bar and 60°C.

■ APPROVALS

TR ZU 010/2011
Requirements
AD 2000 Data sheet A2
PED 2014/68/EU



■ MATERIAL



■ SPECIFICATION



3/4" – 1 1/4"



– 200°C to + 120°C



PN 63

■ MATERIAL

Component	Material	DIN EN	ASTM
Body	Stainless steel	1.4408	CF8M
Internal parts	Stainless steel	1.4404	316L
Primary Seal	PTFE mod.	PTFE mod.	PTFE mod.
Secondary Seal	PTFE	PTFE	PTFE

Series 2700 ■ BALL VERSION

B01	L-Bore
B02	T-Bore

■ MEDIUM

GF	gaseous and liquid	Cryogenic liquified gases, vapours and liquids
-----------	--------------------	--

■ TYPE OF OPERATION

A01	cranked handle made of gunmetal
------------	---------------------------------

■ AVAILABLE NOMINAL DIAMETERS AND CONNECTION SIZES

Nominal diameter DN		15	20	25
Inlet		3/4" (20)	1" (25)	1 1/4" (32)
Outlet	1/2" (15)	■		
	3/4" (20)		■	
	1" (25)			■

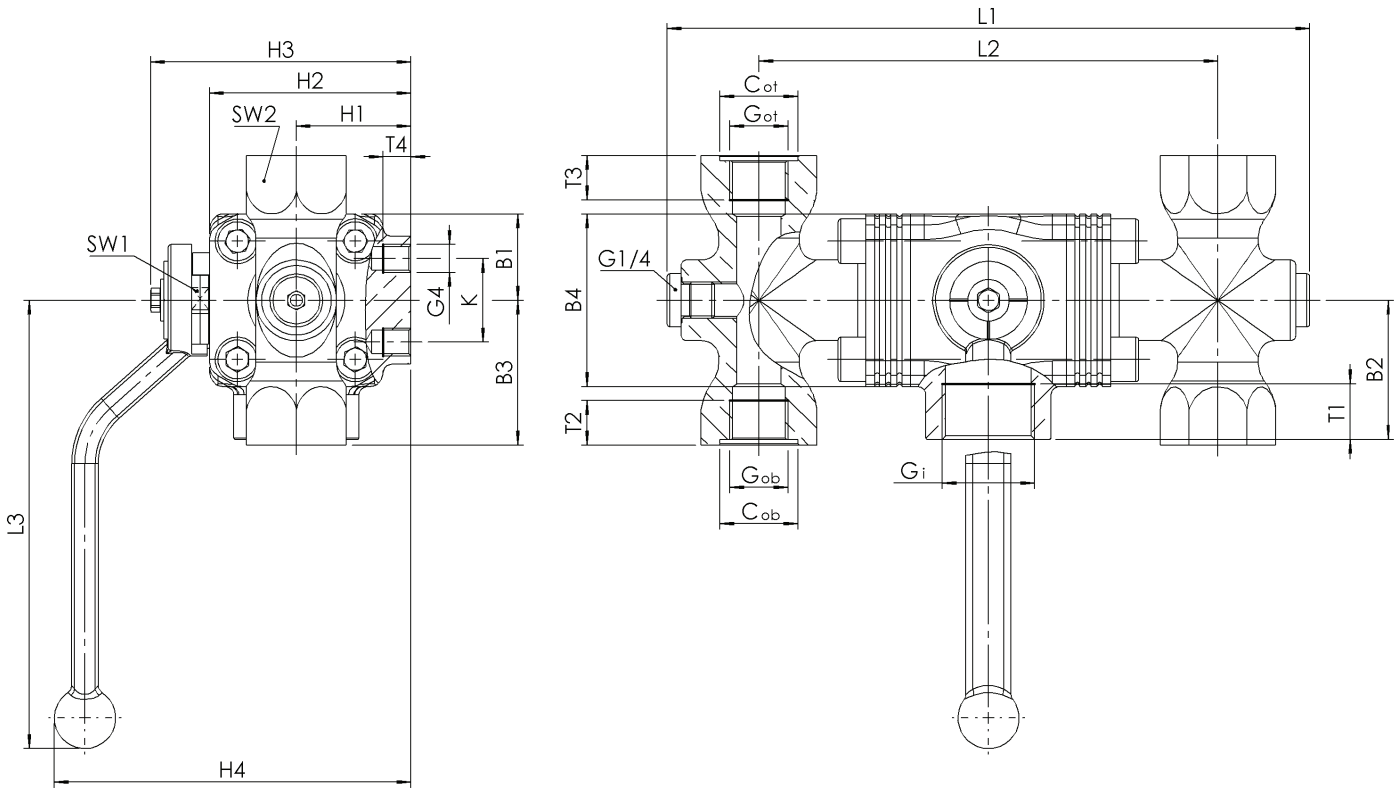
■ TYPE OF CONNECTION INLET / OUTLET THREADED CONNECTIONS

f / f	Standard	Female thread BSP-P / Female thread BSP-P	DIN EN ISO 228-1 / DIN EN ISO 228-1
NPT-f / NPT-f		Female thread NPT-f / Female thread NPT-f	ANSI B1.20.1 / ANSI B1.20.1

■ NOMINAL DIAMETERS, CONNECTIONS, INSTALLATION DIMENSIONS

Series 2700: Connection, installation dimensions				
Nominal diameter	DN	15	20	25
Connection DIN EN ISO 228	Gi	3/4" (20)	1" (25)	1 1/4" (32)
Outlet DIN EN ISO 228	Got / Gob	1/2" (15)	3/4" (20)	1" (25)
Installation dimensions in mm	T1	20	20	21
	T2/T3	14	16	18
	H1	37	41	46
	H2	64	72	82
	H3	86	94	105
	H4	120	128	142
	B1	23	23	33
	B2	40	50	50
	B3	45	52	55
	B4	47	62	66
	L1	198	231	265
	L2	140	165	195
	L3	161	161	184
	SW1	9	9	14
	SW2	30	36	41
K	30	30	30	
G4	M10	M10	M10	
T4	10	10	10	
d0	16	21,5	26,5	
Test port DIN EN 228	G1/4	1/4"	1/4"	1/4"
Weight	kg	2,3	3,8	5,0
Kvs-value	m ³ /h	6,9	12,2	23,6

■ MAIN DIMENSIONS, INSTALLATION DIMENSIONS



Series 2700 ■ INDIVIDUAL SELECTION / VALVE CONFIGURATION

Series	Ball Version	Medium	Operation	Nominal diameter DN	Connection type		Connection size		Options	Quantity
					Inlet	Outlet	Inlet	Outlet		
2700	B02	GF	A01	15	f	f	20	15		2
2700		GF	A01							
2700		GF	A01							
2700		GF	A01							

■ TECHNICAL FINISHES, VARIANTS, ACCESSORIES

S75	Fitted with lateral overflow valve DN10 to prevent the activation of the safety valves	<input type="checkbox"/>
S76	Fitted with lateral overflow valve DN15 to prevent the activation of the safety valves	<input type="checkbox"/>
		<input type="checkbox"/>

■ CERTIFICATES / APPROVALS

C01	Factory certificate acc. DIN EN 10204 2.2 (WKZ 2.2)	<input type="checkbox"/>	C05	Sealing material Manufacturer certification (FDA, USP 3, 3-A,...), Please indicate description of certificate:	<input type="checkbox"/>
C02	Test certificate acc. DIN EN 10204 3.1 (WPZ 3.1)	<input type="checkbox"/>	C06	ATEX evaluation acc. to 2014/34/EU	<input type="checkbox"/>
C03	Material test certificate acc. DIN EN 10204 3.1 (MPZ 3.1) (pressure retaining part)	<input type="checkbox"/>	C11	Certification of the production process especially for gaseous oxygen applications by employment of specific materials	<input type="checkbox"/>

■ ADMISSIONS / ACCREDITATIONS

AA4	EAC - certificate/declaration with passport for the valve and laser marking of the valve	<input type="checkbox"/>	AL	Individual inspection by notified body inspector – (body to be indicated):	<input type="checkbox"/>
		<input type="checkbox"/>			<input type="checkbox"/>
		<input type="checkbox"/>			<input type="checkbox"/>

■ ENQUIRY

Copy and send to: order@goetze-armaturen.de.

Order form easily to be found online under the section for each series.