



Inclinometer for trim and list

The inclinometer INC3840 is a very precise capacitive sensor for measuring inclination with a high long-term stability. The electronics for signal conditioning are completely integrated in the sensor housing.

The inclination of the sensor leads to a proportional change of capacitance that is detected by electronics. The output signal is directly proportional to the inclination angle.

INC3840 - Technical specifications

TECHNICAL DATA

Power supply: 8 to 30Vdc
Output: 4-20mA
Operating temperature: - 40°C + 85°C
Storage temperature: - 45°C + 90°C
Time constant: 0.3s
Zero point (typical value): 12mA
Resolution: 0.01°
Cross axis sensitivity: 1%
Range: ± 10°
Accuracy: 0.1% of full scale

SPECIAL FEATURES

Sensors filled with highly stable non-toxic fluid working as dielectricum of a capacitor
No measurable hysteresis

OPTION:

- vertical mounting
- single channel

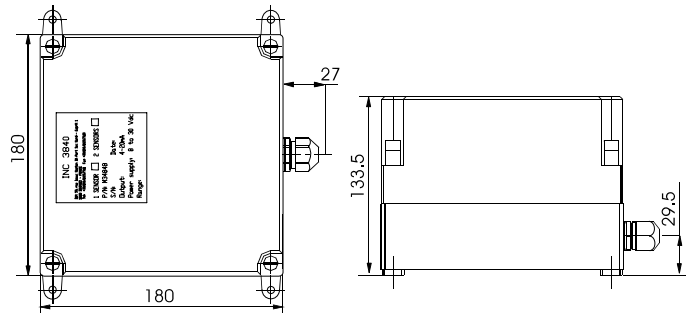
TECHNICAL DOCUMENTATION

Installation manual	MI5010
Drawings	M34848

Enraf Marine Systems

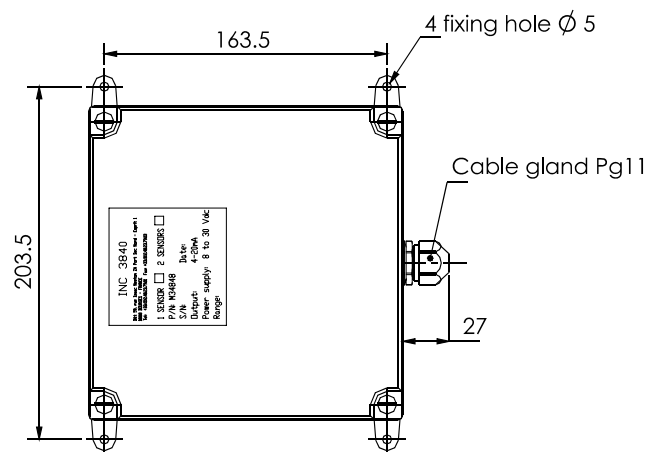
Parc Technologique de Saint Aubin
Bâtiment Mercury
91193 Gif sur Yvette - France
Tel: + 33 (0)1 60 19 81 86
Fax: + 33 (0)1 60 19 82 66
E-Mail: contact.marine@honeywell.com
www.enrafmarine.fr

MECHANICAL FITTINGS & DIMENSIONS



Weight: 2 Kg

MECHANICAL CONNECTION



ELECTRICAL CONNECTION

