



Liquid Level Switch for Cargo Tanks – Overflow 95% or 98%

The Lidec L91B Liquid Level Switch, specially designed for maritime applications, offers an effective solution for detecting the level of liquids petroleum products. Equipped with modular probe, it is a fully static device using an operating principle based on the propagation of a surface wave which makes avoid any mechanical moving parts. The detector is insensitive to vibration, shock and

electrical disturbances and its reliability is ensured by a built-in function for monitoring electronic or transducer failures.

The Lidec L91B is designed for installation on the deck. The detector requires no calibration, as it is not influenced by any type of fluid.

L91B - Technical Specifications

Technical Data

Accuracy: Accuracy: $\pm 2\text{mm}$
Operating temperatures: - Ambient: $- 25\text{ }^{\circ}\text{C}$ $+ 70\text{ }^{\circ}\text{C}$
- Liquid: $- 40\text{ }^{\circ}\text{C}$ $+ 80\text{ }^{\circ}\text{C}$

Power supply: 18 to 28 Vdc

Protection class: IP66/67

Intrinsically safe: IECEx, ATEX.
II 1 G D
Ex ia IIC or IIB T6 or T5 or T4 Ga
Ex ia IIIC T80°C or T95°C or T130°C Da IP6X

Special Features

Materials:

- Probe: Stainless steel 316L
- Head : Stainless steel 316L
- Flexible hose: Stainless steel 316L & marine brass.

Probe length: on request (3000 mm maximum)

Flange: ISO PN20 DN40

Output signal:

- 18 mA (outside liquid)
- 6 mA (detection of liquid)

Interchangeable detection probe.

For **chemical or high temperature products** use **L91-CHT** (HM-11-17-ENG).

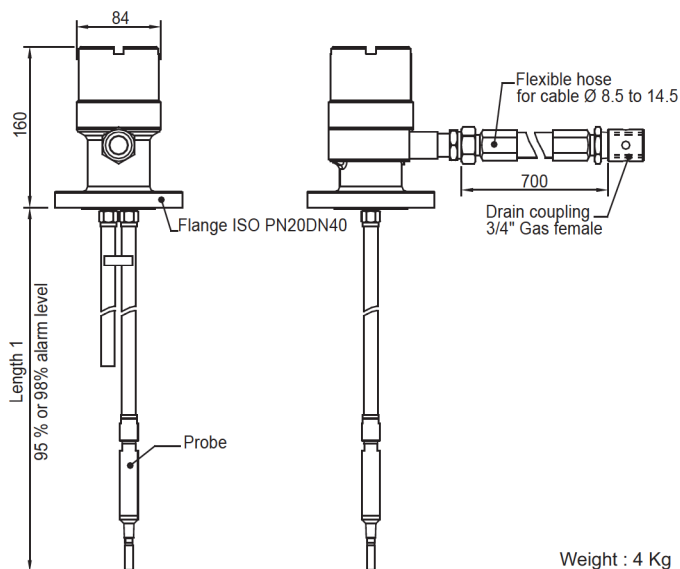
ON LINE TEST is done without opening Lidec by applying magnet on top of the connecting box (HM-11-40-ENG).

Technical Documentation

Installation manual: NT401

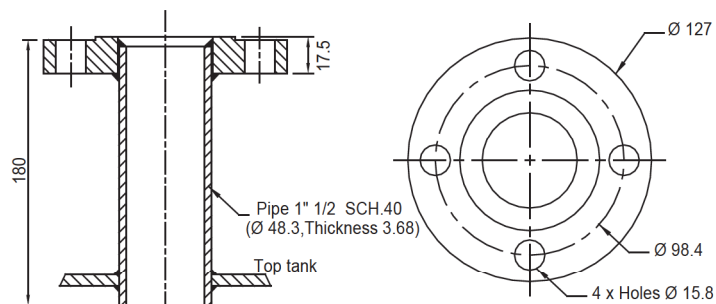
Maintenance manual: NT401

Mechanical Fittings & Dimensions

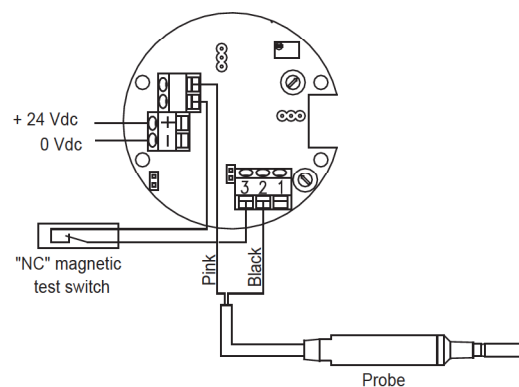


Note: Length 1 needs to be specified 8 weeks before delivery

Process Connection



Electrical Connection



Honeywell Marine SAS

9, rue Isaac Newton
ZA Port Sec Nord, Esprit 1
18000 Bourges – France
Phone : + 33 (0) 248 237 901
Fax : + 33 (0) 248 237 903
E-Mail: contact.marine@honeywell.com
www.honeywellmarine.com

HM-11-16-ENG
February 2013
© 2010 Honeywell International Inc.

Honeywell