



Lidec L20D-R

Application: oil and fuel tanks - high or low level

The Lidec L20D-R is based on the propagation of a surface wave. This design does not include any moving part. The reliability of the device is ensured by a built-in function which monitors electronic or transducer failures.

The Lidec L20D-R designed to be installed horizontally (or vertically), can be used for all types of liquids. Also, it requires

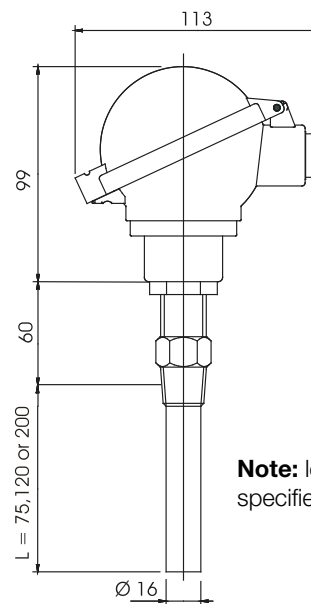
no calibration as not influenced by type of fluid.

L20D-R - Technical Specifications

Technical Data

Accuracy:	+/- 2 mm
Operating temperatures:	ambient temperature: -25°C to + 70°C liquid temperature: -40°C to + 150°C
Power supply:	18 to 36 Vdc (28 Vdc max for I.S.)
Pressure:	25 bar
Intrinsically safe:	II 1 G D Ex ia IIC or IIB T6, T5, T4 Ex ia III C T80°C or T95°C or T120°C Da IP6X
Protection class:	IP65
Weight:	0.7 kg
Materials:	- Probe: Stainless steel 316L - Head : Aluminum
Lengths:	L = 75, 120 or 200mm
Fitting:	1/2" BSPT

Dimensions

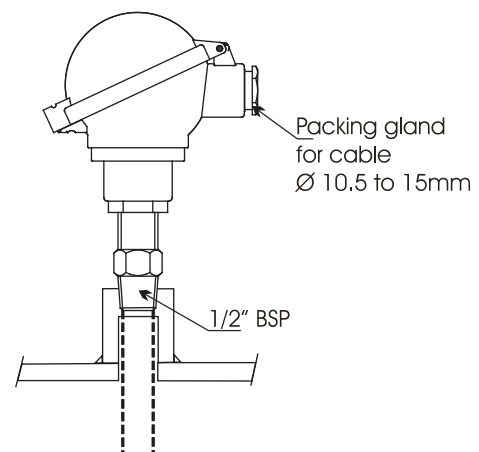


Note: length L needs to be specified 8 weeks before delivery

Special Features

- Relay output
- NO or NC dry contact
- For order, specify status of switch outside liquid
- Horizontal or vertical mounting
- Fully static device
- Fail-safe operation
- Insensitive to vibrations, shocks, electrical disturbances and solid cargo product
- Insensitive to pressure and temperature
- Approved by major classification societies

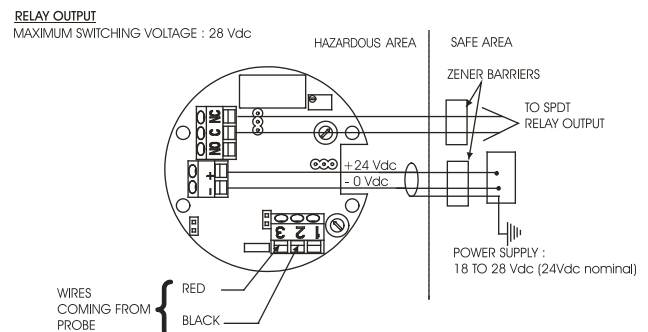
Mechanical connection



Technical Documentation

Installation manual:	322444E
Maintenance manual:	322444E

Electrical connection



Honeywell Marine SAS

9, rue Isaac Newton
ZA Port Sec Nord, Esprit 1
18000 Bourges – France
Phone : + 33 (0) 248 237 901
Fax : + 33 (0) 248 237 903
E-Mail: contact.marine@honeywell.com
www.honeywellmarine.com

HM-11-50-ENG
October 2013
© 2013 Honeywell International Inc.

Honeywell