



Lidec L20D

Application: oil and fuel tanks - high or low level

The Lidec L20D is based on the propagation of a surface wave. This design does not include any moving part. The reliability of the device is ensured by a built-in function which monitors electronic or transducer failures.

The Lidec L20D designed to be installed horizontally (or vertically), can be used for all types of liquids. Also, it requires

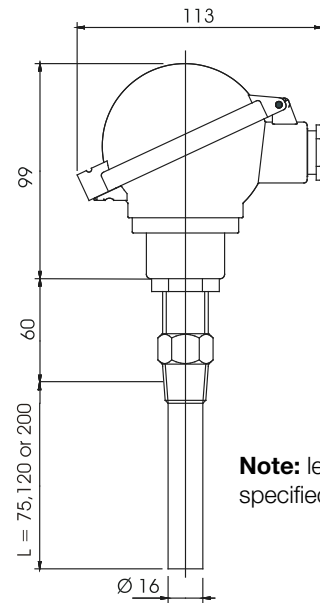
no calibration as not influenced by type of fluid.

L20D - Technical Specifications

Technical Data

Accuracy:	+/- 2 mm
Operating temperatures:	ambient temperature: -25°C to + 70°C liquid temperature: -40°C to + 150°C
Power supply:	18 to 36 Vdc (28 Vdc max for I.S.)
Pressure:	25 bar
Intrinsically safe:	II 1 G D Ex ia IIC or IIB T6, T5, T4 Ex ia III C T80°C or T95°C or T120°C Da IP6X
Protection class:	IP65
Weight:	0.7 kg
Materials:	- Probe: Stainless steel 316L - Head : Aluminum
Lengths:	L= 75, 120 or 200mm
Fitting:	1/2" BSPT

Dimensions

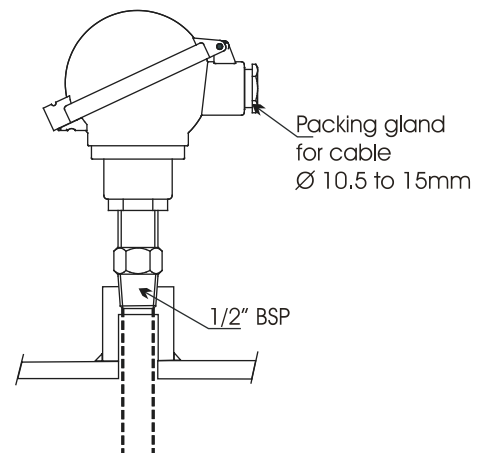


Note: length L needs to be specified 8 weeks before delivery

Special Features

- Current output according to model:
 - L20D-H:** in liquid: 6 mA
outside liquid: 18 mA
 - L20D-L:** in liquid: 18 mA
outside liquid: 6 mA
- Horizontal or vertical mounting
- Fully static device
- Fail-safe operation
- Insensitive to vibrations, shocks, electrical disturbances and solid cargo product
- Insensitive to pressure and temperature
- Approved by major classification societies

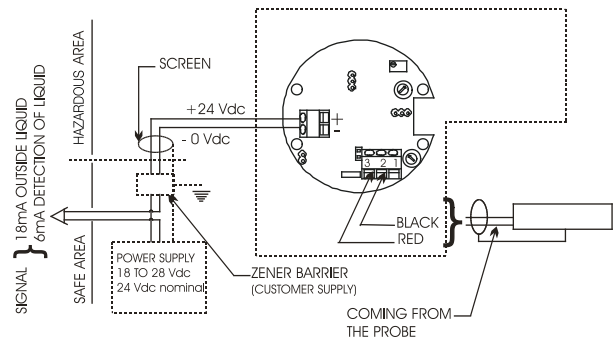
Mechanical connection



Technical Documentation

Installation manual:	322444E
Maintenance manual:	322444E

Electrical connection



Honeywell Marine SAS

9, rue Isaac Newton
 ZA Port Sec Nord, Esprit 1
 18000 Bourges – France
 Phone : + 33 (0) 248 237 901
 Fax : + 33 (0) 248 237 903
 E-Mail: contact.marine@honeywell.com
www.honeywellmarine.com

HM-11-49-ENG
 October 2013
 © 2013 Honeywell International Inc.

Honeywell