



Inert Gas Pressure & Temperature Transmitter for Liquid Cargo

The T901-Px1A Temperature & Pressure Transmitter meets the most rigorous liquid cargo monitoring requirements. Connected directly to the radar, it requires only a single installation in order to obtain both temperature and pressure measurements.

The T901-Px1A Temperature & Pressure Transmitter's unique modular design allows for easy maintenance. This absolute-type pressure cell withstands damage due to the saline environment, and can be connected via a flexible hose for insensitivity to heavy seas. Its temperature probes (from one to three) provide high-accuracy liquid temperature measurements enabling the computer to directly correct for density parameters.

T901Px1A - Technical Specifications

Technical Data

PRESSURE

Range:	800 to 2000 mbar (Abs)
Accuracy:	±0.3% FS at 20°C
Output:	0.5 to 2.5 Vdc (3 wires)
Allowable overpressure:	4000 mbar (Abs)
Power supply:	5 Vdc

TEMPERATURE

Temperature sensors:	PT100Ω at 0°C (3 wires)
Accuracy:	IEC 751 class B
Range:	-46°C to +250°C

GENERAL

Intrinsically safe:	II 1 G D Ex ia IIC T6 Ex iaD 20 T80°C
Operating ambient temperature:	-35°C to +70°C
Storage temperature:	-55°C to +85°C
Protection class:	IP66/67

Special Features

Material:

- Housing: Stainless steel 316L
- Temperature sensors: Stainless steel 316L
- Pressure sensor: Stainless steel 316L
- Diaphragm: Ceramic

Pressure sensor can be disconnected to facilitate the cleaning of the pressure tap.

This transmitter to be connected to radar only.

Available types:

- **T901-P11A:** 1 x T° sensor & 1 x Pressure sensor
- **T901-P21A:** 2 x T° sensor & 1 x Pressure sensor
- **T901-P31A:** 3 x T° sensor & 1 x Pressure sensor

Standard T° probe lengths:

1m; 2m; 3m; 5m; 8m; 15m.....

Optional: Flexible hose BV2 or BV3 type according to cable diameter.

Approved by major classification societies

Technical Documentation

Installation manual:	MI5016
Technical manual:	MT5016
Maintenance manual:	MM5016

Honeywell Marine

Enraf Marine Systems

Bât 59, rue Isaac Newton

ZA Port Sec Nord, Esprit 1

18000 Bourges – France

Phone : + 33 (0) 248 237 901

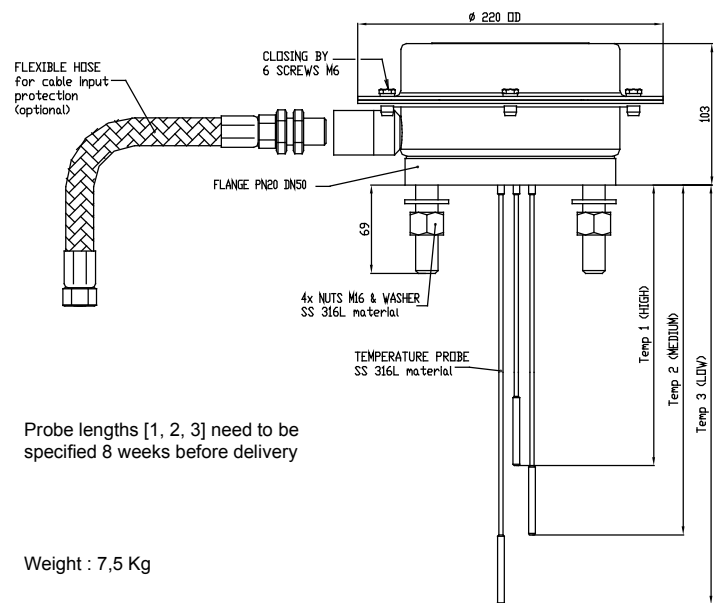
Fax : + 33 (0) 248 237 903

E-Mail: contact.marine@honeywell.com

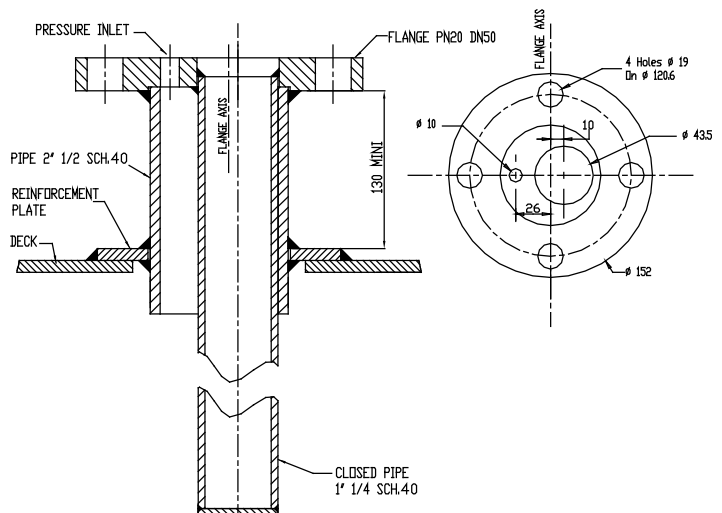
www.honeywellmarine.com

HM-11-34-ENG
April 2011
© 2010 Honeywell International Inc.

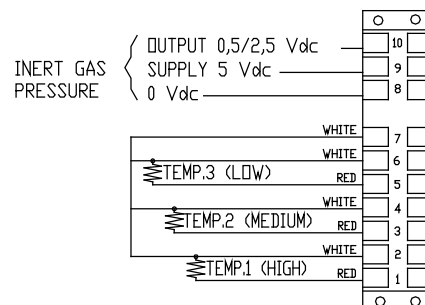
Mechanical Fittings & Dimensions



Process Connection



Electrical Connection



Honeywell