



### Pressure Transmitter for Inert Gas

The T901P01TA-IG Pressure Transmitter is specially designed for connection directly to radar. It provides a linearized 0.5-2.5 Vdc output and includes an amplifier with zero and span adjustment.

Approved by major international classification societies, the T901P01TA-IG employs a ceramic transducer able to withstand vapors from petroleum and chemical products. The cell is sealed inside a 316L stainless steel housing, which ensures an IP66/67 rating. A flexible conduit is supplied as standard for watertight connection on deck.

# T901P01TA-IG - Technical Specifications

## Technical Data

<b>Output signal:</b>	0.5 - 2.5 Vdc (3 wires)
<b>Power supply:</b>	5 Vdc (from radar)
<b>Range:</b>	800 - 2000 mbar (Abs).
<b>Overpressure:</b>	8 bar.
<b>Accuracy:</b>	0,3% FS at 20°C.
<b>Intrinsic safety:</b>	IECEX, ATEX. II 1 G D Ex ia IIC T6 Ga Ex ia IIIC T70°C Da IP66/67
<b>Operating temperatures:</b>	Liquid /gas: 0°C to +125°C Ambient: - 35°C to +70°C
<b>Protection class:</b>	IP66/67

## Special Features

### Material:

- Remote box: Stainless steel 316L
- Sensor housing: Stainless steel 316L
- Diaphragm: ceramic

Flexible hose BV2 in standard.

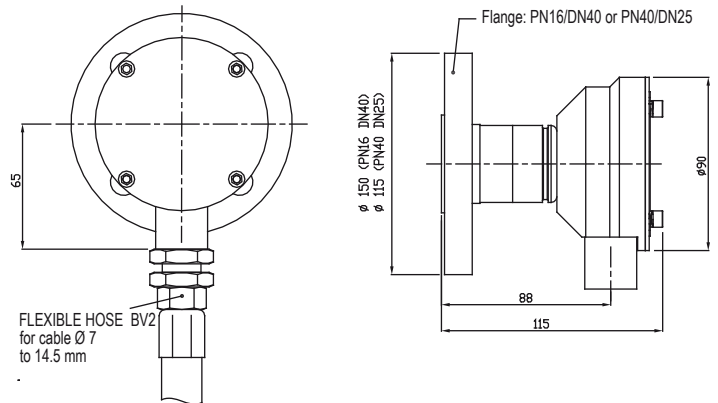
Cable length: 75m max.

### Absolute pressure type.

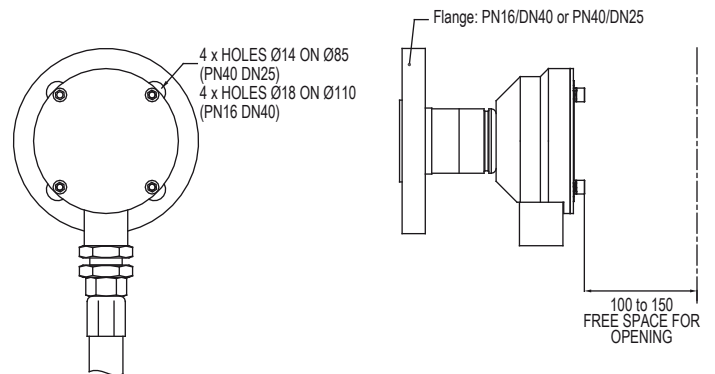
## Technical Documentation

<b>Installation manual:</b>	MI5016
<b>Technical manual:</b>	MT5016
<b>Maintenance manual:</b>	MM5016

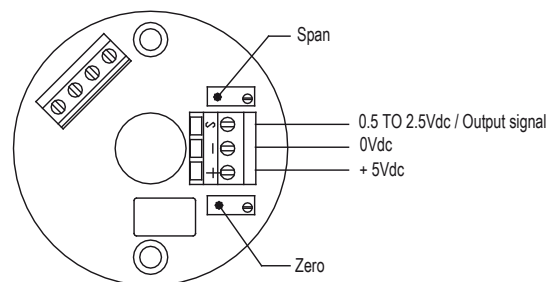
## Mechanical Fittings & Dimensions



## Process Connection



## Electrical Connection



## Honeywell Marine SAS

9, rue Isaac Newton

ZA Port Sec Nord, Esprit 1

18000 Bourges – France

Phone : + 33 (0) 248 237 901

Fax : + 33 (0) 248 237 903

E-Mail: [contact.marine@honeywell.com](mailto:contact.marine@honeywell.com)

[www.honeywellmarine.com](http://www.honeywellmarine.com)

HM-11-56-ENG  
February 2013  
© 2010 Honeywell International Inc.

# Honeywell